

# HAFCO WOODMASTER



Edition : 2.0  
Date: (08/24)

## Instruction Manual

# CYCLONE DUST COLLECTORS DC-2

Order Code: (W332)

**MACHINE DETAILS**

<b>MACHINE.</b>	DUST COLLECTOR
<b>MODEL NO.</b>	DC-2
<b>SERIAL NO.</b>	
<b>DATE OF MANF.</b>	

Imported by

Australia



[www.machineryhouse.com.au](http://www.machineryhouse.com.au)

New Zealand



[www.machineryhouse.co.nz](http://www.machineryhouse.co.nz)

**NOTE:**

*This manual is only for your reference. At the time of the compiling of this manual every effort to be exact with the instructions, specifications, drawings, and photographs of the machine was taken. Owing to the continuous improvement of the HAFCO METALMASTER machine, changes may be made at any time without obligation or notice. Please ensure the local voltage is the same as listed on the specification plate before operating any electric machine.*

**SAFETY SYMBOLS:**

*The purpose of safety symbols is to attract your attention to possible hazardous conditions*



**WARNING** Indicates a potentially hazardous situation causing injury or death



**CAUTION** Indicates an alert against unsafe practices.

*Note: Used to alert the user to useful information*

Fig.1

**NOTE:**

*In order to see the type and model of the machine, please see the specification plate. Usually found on the back of the machine. See example (Fig.1)*



**PRODUCT SPECIFICATIONS**

Model: DC-2  
Capacity: 500cfm  
Nett Weight: 21.5kg  
MFG Date:

Voltage: 240V/50Hz  
Motor: 0.75kW  
FLC: 4.8A

Serial No:

Imported by  
[www.machineryhouse.com.au](http://www.machineryhouse.com.au)

Made in China  
[www.machineryhouse.co.nz](http://www.machineryhouse.co.nz)

**CONTENTS:**

1. GENERAL MACHINE INFORMATION	
1.1 Specifications.....	4
1.2 Packing List.....	4
1.3 Identification.....	5
2. SAFETY	
2.1 General Woodworking Machine Safety.....	6
2.2 Specific Safety For Dust Collectors.....	9
3. POWER SUPPLY	
3.1 Electrical Requirements.....	10
3.2 Full Load Current.....	10
4. SETUP	
4.1 Unpacking.....	11
4.2 Clean Up.....	11
4.3 Site Preparation.....	11
4.4 Lifting Instructions.....	11
4.5 Assembly.....	12
4.6 Test Run.....	15
5. OPERATION	
5.1 Operation Overview.....	15
5.2 Optional Accessories.....	15
6. MAINTENANCE	
6.1 Schedule.....	17
6.2 Bag Cleaning.....	17
6.3 Troubleshooting.....	18
Spare Parts.....	19
Risk Assessment Sheets.....	22



**WARNING**

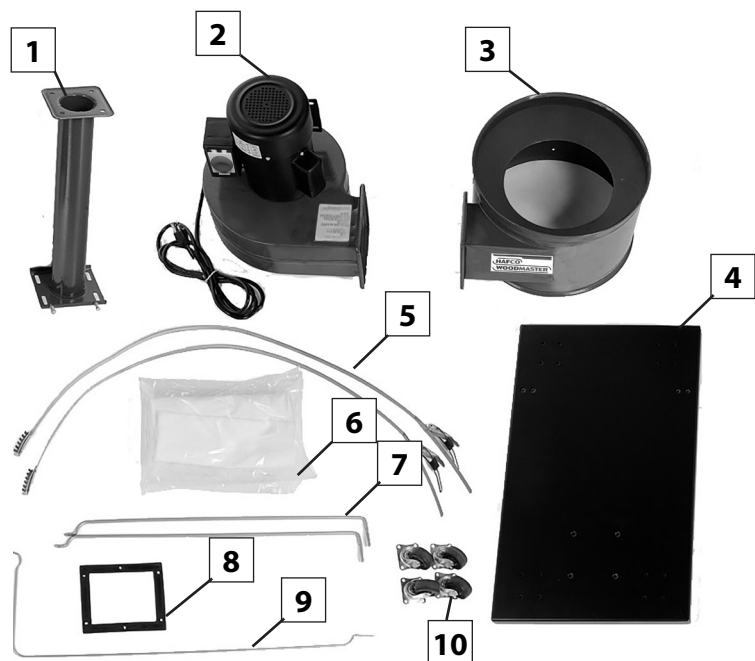
*The machine is the sole responsibility of the owner for its safe use. This responsibility includes but is not limited to proper installation in a safe environment, personnel training, proper inspection and maintenance, manual availability and comprehension. The manufacturer will not be held liable for injury or property damage from negligence, improper training, machine modifications or misuse.*

### 1.1 SPECIFICATION

Order Code	W332
<b>MODEL</b>	<b>DC-2</b>
Type	Dust Collector
Air Flow (CFM)	500
LPHV - Low Pressure High Volume	Yes
HPLV - High Pressure Low Volume	No
Inlets / Diameter (No / mm)	1 x Ø100
Motor Power (kW / hp)	0.75 / 1
Voltage (V)	240
Amps (A)	10
Foot Print Dimensions (W x D x H) (mm)	700 x 400 x 1560
Shipping Dimensions (L x W x H) (mm)	670 x 420 x 450
Nett Weight (Kg)	21.50

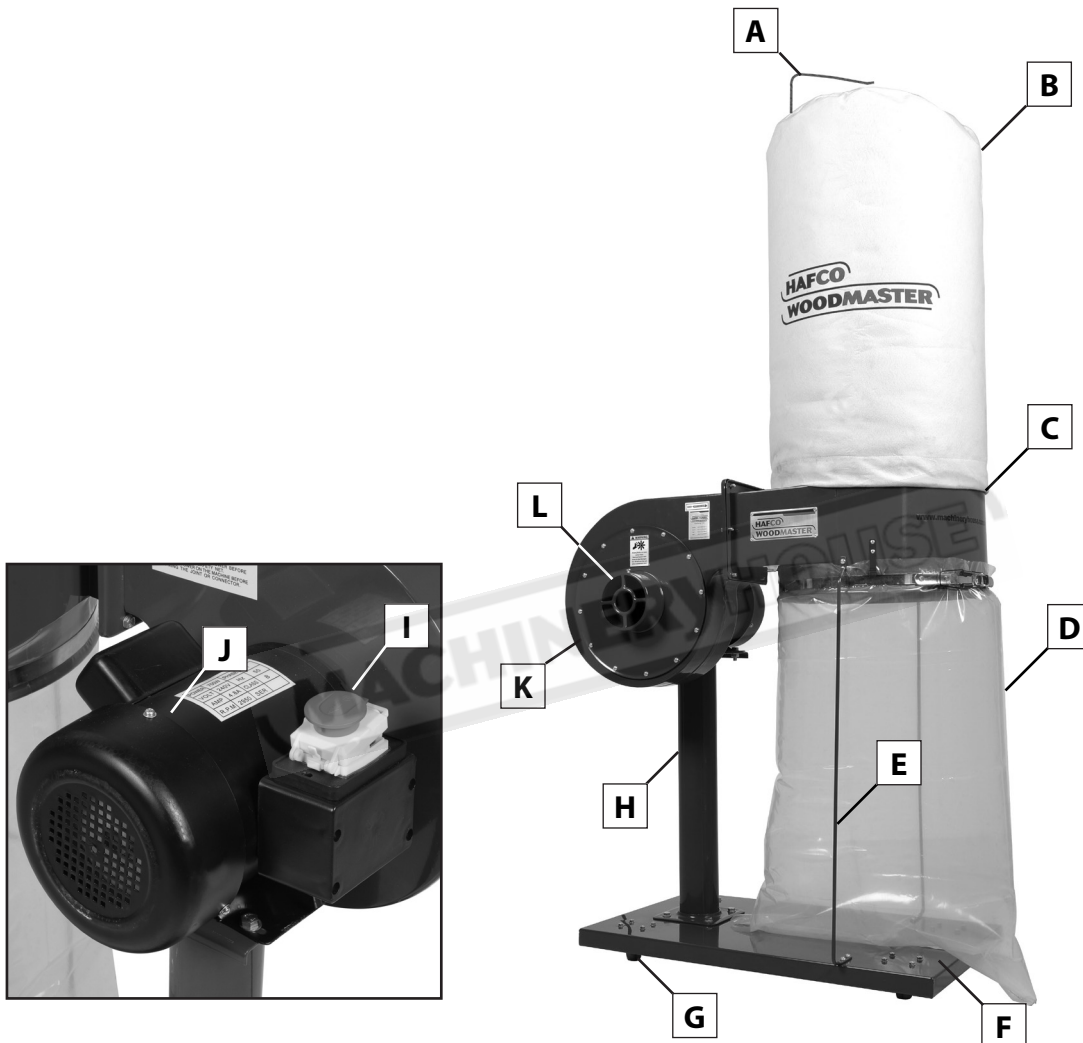
### 1.2 PACKING LIST

1. Fan/Motor Support Post
2. Impeller and Motor Housing
3. Separator
4. Base Plate
5. Bag Clamps
6. Collection & Filter Bags
7. Collection Bag Support Rods
8. Rubber Gasket
9. Upper Bag Support Rod
10. Castors
11. Hardware and Tools (Not Shown)
  - 6 x Hex Bolts M6-1 x 15
  - 8 x Hex Bolts M8-1.25 x 15
  - 4 x Hex Nuts M8-1.25
  - 18 x Hex Nut M5-.8
  - 12 x Flat Washers 8mm
  - 22 x Flat Washers 5mm
  - 6 x Phillips Head Screws M5-.8 x 15
  - 16 x Phillips Head Screws M5-.8 x 10
  - 2 x Phillips Head Screws M4-.7 x 8 .
  - 1 x Hex Wrench 5mm
  - 1 x Hex Wrench 4mm



### 1.3 IDENTIFICATION

Become familiar with the names and locations of the controls and features shown below to better understand the instructions in this manual.



<b>A</b>	Upper Bag Support Rod	<b>G</b>	Swivel Casters
<b>B</b>	5 Micron Filter Bag	<b>H</b>	Fan Motor Support
<b>C</b>	Separator	<b>I</b>	ON/OFF Switch
<b>D</b>	Plastic Collection Bag	<b>J</b>	Motor
<b>E</b>	Collection Bag Support Rod	<b>K</b>	Fan Motor Housing
<b>F</b>	Base Plate	<b>L</b>	Dust Hose Inlet

## 2.1 GENERAL WOODWORKING MACHINE SAFE PRACTICES

DO NOT use this machine unless you have read this manual or have been instructed in the use of this machine in its safe use and operation



### WARNING

This manual provides safety instructions on the proper setup, operation, maintenance, and service of this machine. Save this manual, refer to it often, and use it to instruct other operators. Failure to read, understand and follow the instructions in this manual may result in fire or serious personal injury—including amputation, electrocution, or death.

The owner of this machine is solely responsible for its safe use. This responsibility includes, but is not limited to proper installation in a safe environment, personnel training and authorization to use, proper inspection and maintenance, manual availability and comprehension, of the application of the safety devices, integrity, and the use of personal protective equipment.

The manufacturer will not be held liable for injury or property damage from negligence, improper training, machine modifications or misuse.



Exposure to the dust created by power sanding, sawing, grinding, drilling and other construction activities may cause serious and permanent respiratory or other injury, including silicosis (a serious lung disease), cancer, and death. Avoid breathing the dust, and avoid prolonged contact with dust. Some examples of these chemicals are:



- Lead from lead-based paints.
- Crystalline silica from bricks, cement and other masonry products.
- Arsenic and chromium from chemically-treated timber.

Always operate tool in well ventilated area and provide for proper dust removal. Use a dust collection system along with an air filtration system whenever possible.

Always use properly fitting approved respiratory protection appropriate for the dust exposure, and wash exposed areas with soap and water.

- ✓ Always wear safety glasses or goggles and protective footwear.
- ✓ Wear dust masks when required.
- ✓ Wear hearing protection that is suitable for the level and frequency of the noise you are exposed to in the woodworking area. If you have trouble hearing someone speak from three feet away, the noise level from the machine may be hazardous.
- ✓ Use gloves to protect hands from splinters when handling wood but do not wear them near rotating blades and other machinery parts where the gloves can catch.

## 2.1 GENERAL WOODWORKING MACHINE SAFE PRACTICES Cont.

- ✓ Make sure the guard that is in position is in good working condition, and guards the machine adequately before operating any equipment or machine. Check and adjust all other safety devices.
- ✓ Make sure the equipment is properly grounded before use.
- ✓ Check that keys and adjusting wrenches are removed from the machine before turning on the power.
- ✓ Inspect stock for nails or other materials before cutting, planing, routing or carrying out similar activities.
- ✓ Make sure that all machines have start and stop buttons within easy and convenient reach of an operator. Start buttons should be protected so that accidental contact will not start machine.
- ✓ Ensure that all cutting tools and blades are clean, sharp, and in good working order so that they will cut freely, not forced.
- ✓ Turn the power off and unplug the power cord (or lock out the power source) before inspecting, changing, cleaning, adjusting or repairing a blade or a machine. Also turn the power off when discussing the work.
- ✓ Use a "push stick" to push material into the cutting area. Jigs are also useful in keeping hands safe during cutting procedures. Keep hands out of the line of the cutting blade.
- ✓ Always use a push stick for pieces less than 30 cm in length, or for the last 30 cm of a longer cut. Use a push stick to remove the cut piece from between the fence and the blade.
- ✓ Clamp down and secure all work pieces when drilling or milling.
- ✓ Use good lighting so that the work piece, cutting blades, and machine controls can be seen clearly. Position or shade lighting sources so that they do not shine in the operator's eyes or cause any glare and reflections.
- ✓ Ensure that the floor space around the equipment is sufficient to enable you to machine the size of work piece being processed safely without bumping into other workers or equipment.
- ✓ Woodworking machines should be fitted with efficient and well-maintained local exhaust ventilation systems to remove sawdust or chips that are produced.
- ✓ Electric power cords should be above head level or in the floor in such a way that they are not tripping hazards.
- ✓ Keep work area free of clutter, clean, well swept, and well lit. Spills should be cleaned up immediately. Floor areas should be level and non-slip. Good housekeeping practices and workplace design will reduce the number of injuries and accidents from slips, trips, and falls.
- ✓ Do not wear loose clothing, work gloves, neckties, rings, bracelets or other jewellery that can become entangled with moving parts. Confine long hair.
- ✓ Avoid awkward operations and hand positions where a sudden slip could cause your hand to move into the cutting tool or blade.
- ✓ Do not remove sawdust or cuttings from the cutting head by hand while a machine is running. Use a stick or brush when the machine has stopped moving.
- ✓ Do not use compressed air to remove sawdust, turnings, etc. from machines or clothing.
- ✓ Do not leave machines running unattended (unless they are designed and intended to be operated while unattended). Do not leave a machine until the power is turned off and the machine comes to a complete stop.

## 2.1 GENERAL WOODWORKING MACHINE SAFE PRACTICES Cont.

- ✓ Do not try to free a stalled blade before turning the power off.
- ✓ Do not distract or startle an operator while he or she is using woodworking equipment.
- ✓ Horseplay should be prohibited. It can lead to injuries.

HAZARDS ASSOCIATED WITH MACHINES include, but are not limited to:

- Being struck by ejected parts of the machinery
- Being struck by material ejected from the machinery
- Contact or entanglement with the machinery
- Contact or entanglement with any material in motion

Health Hazards (other than physical injury caused by moving parts)

- Chemicals hazards that can irritate, burn, or pass through the skin
- Airborne substances that can be inhaled, such as oil mist, metal fumes, solvents, and dust
- Heat, noise, and vibration
- Ionizing or non-ionizing radiation (X-ray, lasers, etc.)
- Biological contamination and waste
- Soft tissue injuries (for example, to the hands, arms, shoulders, back, or neck) resulting from repetitive motion, awkward posture, extended lifting, and pressure grip.

Other Hazards

- Slips and falls from and around machinery during maintenance
- Unstable equipment that is not secured against falling over
- Safe access to/from machines (access, egress)
- Fire or explosion
- Pressure injection injuries from the release of fluids and gases under high pressure
- Electrical Hazards, such as electrocution from faulty or ungrounded electrical components
- Environment in which the machine is used (in a machine shop, or in a work site)



*Machines are safeguarded to protect the operator from injury or death with the placement of guards. Machines must not be operated with the guards removed or damaged.*



## 2.2 SPECIFIC SAFETY FOR DUST COLLECTORS

DO NOT use this machine unless you have been instructed in its safe use and operation and have read and understood this manual



*A mask must be worn at all times when using the machine*



*Safety glasses must be worn at all times in work areas*



*Sturdy footwear must be worn at all times in work areas*



*Close fitting/protective clothing must be worn*

### MACHINE USE

If you are at any time experiencing difficulties performing any operation, stop using the machine! Then contact your local Service Centre, or ask an experienced operator how the operation should be performed.

This dust collector must only be used for wood shavings and dust. Do NOT use to pick up liquids and metal scrap including, but not limited to, nails and filings. Also, DO NOT pick up material which cannot safely pass through the impeller, such as solid wood scraps.

When operating this machine, DO NOT place your hands or tools near the open inlet for any reason including, but not limited to, unclogging material and testing suction. The impeller could cause serious damage to body parts if touched.

### FIRE RISK

DO NOT allow steel to strike against impeller, which may produce a spark. Sparks can smolder in wood dust for a long time before fire or flame is detected. If metal contacts metal during operation, immediately turn off the dust collector, unplug the power cord from the outlet, or flip the disconnect switch and wait for all moving parts to stop. Remove collection bags and empty the dust into an approved air tight metal container in case of spark. Remedy the metal to metal contact problem before resuming operation. DO NOT operate the dust collector in areas where explosion risks would be high if dust were dispersed into the area. Areas of high risk include, but are not limited to, areas near pilot lights and/or open flames.

### SERVICING & MAINTENANCE

Disconnect from the power supply and allow impeller to come to a complete stop before servicing or working on the dust collector ducting system. When emptying dust from the collection bags, wear a respirator and safety glasses. Empty dust into an approved container and dispose of correctly.

### 3. POWER SUPPLY

#### 3.1 ELECTRICAL INSTALLATION

Place the machine near an existing power source. Make sure all power cords are protected from traffic, material handling, moisture, chemicals, or other hazards. Make sure there is access to a means of disconnecting the power source. The electrical circuit must meet the requirements for 240V.

**NOTE:** *The use of an extension cord is not recommended as it may decrease the life of electrical components on your machine.*

#### ELECTRICAL REQUIREMENTS

Nominal Voltage.....	240V
Cycle.....	50 Hz
Phase.....	Single Phase
Power Supply Circuit.....	10 Amps
Full Load Current.....	4.8 Amps

(Full load current rating is also on the specification plate on the motor.)

#### 3.2 FULL-LOAD CURRENT RATING

The full-load current rating is the amperage a machine draws when running at 100% of the output power. Where machines have more than one motor, the full load current is the amperage drawn by the largest motor or a total of all the motors and electrical devices that might operate at one time during normal operations.

Full-Load Current Rating for these machine at 240V is 4.8Amps

It should be noted that the full-load current is not the maximum amount of amps that the machine will draw. If the machine is overloaded, it will draw additional amps beyond the full-load rating and if the machine is overloaded for a long period of time, damage, overheating, or fire may be caused to the motor and circuitry.

This is especially true if connected to an undersized circuit or a long extension lead. To reduce the risk of these hazards, avoid overloading the machine during operation and make sure it is connected to a power supply circuit that meets the requirements.



## 4 SETUP

### 4.1 UNPACKING

This machine was carefully packaged for safe transport. When unpacking, separate all enclosed items from packaging materials and inspect them for shipping damage. If items are damaged, please contact your distributor.

**NOTE: Save all the packaging materials until you are completely satisfied with the machine and have resolved any issues with the distributor, or the shipping agent.**

When unpacking, check the packing list to make sure that all parts shown are included. If any parts are missing or broken, please contact your distributor.

### 4.2 CLEAN - UP

The unpainted surfaces of the machine have been coated with a waxy oil to protect them from corrosion during shipment. Remove the protective coating with a solvent cleaner or a citrus based degreaser.

Optimum performance from your machine will be achieved when you clean all moving parts or sliding contact surfaces that are coated with rust prevented products.

It is advised to avoid chlorine based solvents, such as acetone or brake parts cleaner, as they will damage painted surfaces and strip metal should they come in contact. Always follow the manufacturer's instructions when using any type of cleaning product.

### 4.3 SITE PREPARATION

When selecting the site for the machine, consider the largest size of workpiece that will be processed through the machine and provide enough space around the machine for operating the machine safely. Consideration should be given to the installation of auxiliary equipment. Leave enough space around the machine to open or remove doors/covers as required for the maintenance and service as described in this manual.

It is recommended that the machine is anchored to the floor to prevent tipping or shifting. It also reduces vibration that may occur during operation.

### 4.4 LIFTING INSTRUCTIONS



#### **WARNING**

*This machine is very heavy.*

*Serious personal injury may occur if safe moving methods are not followed. To be safe, you will need assistance from another person when moving the shipping crate and removing the machine from the crate.*



On the day that the machine arrives, make sure that there is assistance, available to unload the machine from the vehicle. Ensure access to the chosen site is clear and that doors and ceilings are sufficiently high and wide enough to receive the machine.

## 4.5 ASSEMBLY

The machine must be fully assembled before it can be operated. First clean any parts that are coated in rust preventative to ensure the assembly process can proceed smoothly.

### DUST COLLECTOR ASSEMBLY

1. Layout the components of the dust collector on a flat clean space.
2. Place the base upside down.
3. Install the four swivel casters onto the base with the 16 off M5 x 10 Phillips head screws, nuts, and flat washers. (Fig. 4.1) To ensure that the Casters can swivel, place the screws in from the swivel castor foot side and then the washer and nut on the top side of the base as shown. (Fig. 4.2)
4. Turn the base the right way up and attach the fan motor support post to the base, using the 4 x M8 1.25 x 15 hex bolts and four flat washers.(Fig. 4.3) The top plate of the support upright has 2 x tapped holes in one of the bent over side edges. Screw 2 of M6 x 25mm long hex head bolts into each hole, firstly putting an M6 nut on each bolt before screwing in. Screw the bolt all the way in, out of the way (to be adjusted out later) (Fig. 4.4)
5. Place the motor/impeller housing onto the fan motor and attach with the 4 x M8-1.25 x 15 hex bolts, four hex nuts, and eight flat washers (Fig.4.3)
6. Fit Motor assembly using 4 of M8 x 20mm hex head bolts 4 of nuts and 8 off washers to the top of the upright support centralizing the Collector Cyclone over the base before tightening the bolts. (Fig. 4.5)



Fig. 4.1

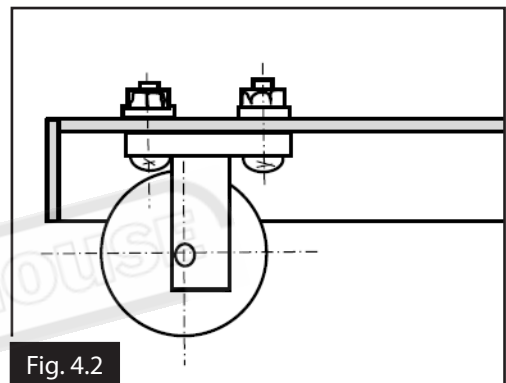


Fig. 4.2



Fig. 4.3



Fig. 4.5

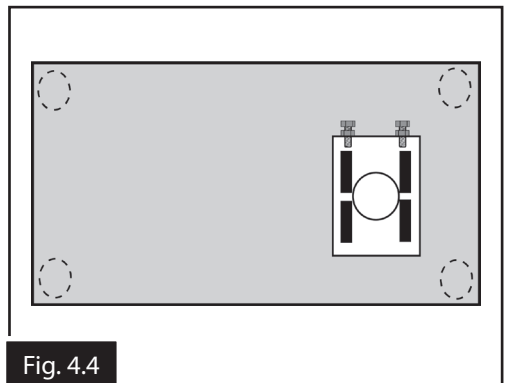


Fig. 4.4

**4.5 ASSEMBLY Cont.**

**DUST COLLECTOR ASSEMBLY Cont.**

7. Using 6 of M6 x 15mm hex head bolts and flat washers, fit the collector cyclone assembly to Motor assembly as shown also fitting the rubber gasket supplied between the two with the ridged side of the rubber towards the Motor Assembly. Tighten these 6 bolts. (Fig. 4.6)
8. The factory has supplied a top bag support hook, Fix this to the rear of the cyclone assembly behind the motor, in the tapped holes provided, using 2 of M3 x 10mm long Phillips dome head screws and flat washers. (Fig. 4.7)
9. The factory has also supplied 2 of, 6mm dia steel bar supports that go from the base of the machine to each outside face each side of the cyclone assembly. These are first secured tight at the bottom onto stand with 4 of M5 x 15mm Phillips dome head screws and flat washers.  
Now fix the top of the bars to the Collector Cyclone using 2 of M5 x 15mm Phillips dome head screws flat washers and nuts. (Fig. 4.8)  
(Put washers under nuts on the inside of Cyclone)



Fig. 4.6

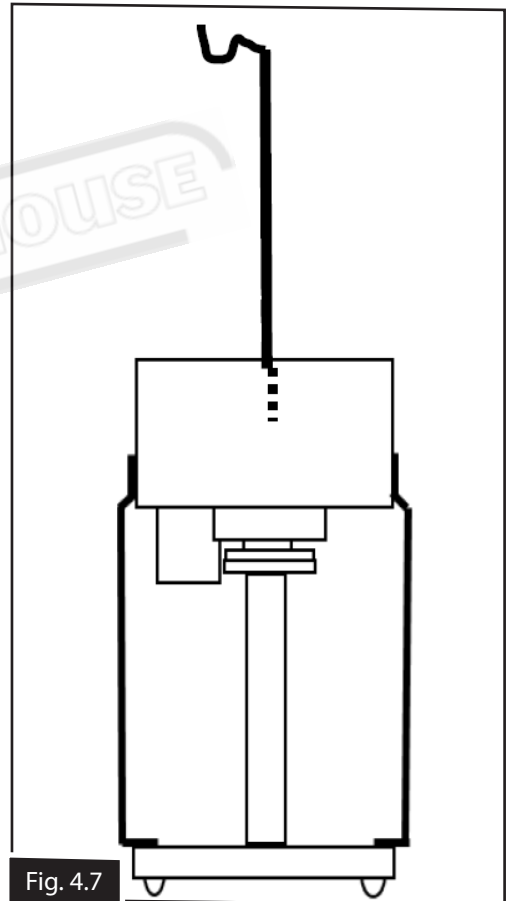


Fig. 4.7

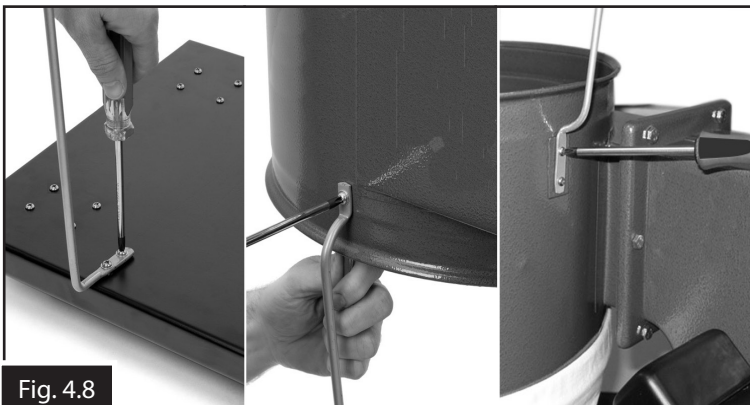


Fig. 4.8



**WARNING.**

*Before operating any machine, take time to read and understand all safety signs and symbols. If not understood seek explanation from your supervisor or contact your distributor.*

## COLLECTOR SUPPORT BOLT

After the machine is assembled, adjust the support bolt to press against the side of the impeller housing, then tighten the lock nut. (Fig. 4.9)

## ATTACHING THE BAGS

### Installing the 5 Micron Filter Bag.

1. Feed one of the steel bag clamps through the hole in the lower sleeve of the cloth bag all the way through and out the other end. Hang the bag by its top loop on the steel hook of the collector. (Fig. 4.10)
2. Slip the filtration bag over the top edge of the Separator, and secure it with the bag clamp. (Fig. 4.10)

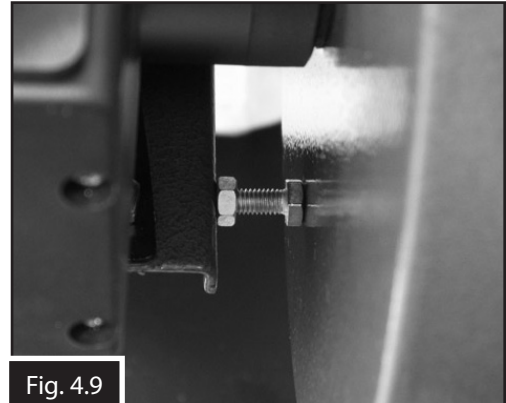


Fig. 4.9

### Installing the collection bag:

1. Now pull the Plastic lower bag up under lower drum clipping it under the 3 spring clips on the side of the drum. Put the second steel bag clamp around bag at the drum ensuring it is under the tab of each spring clip before clamping it. (Fig. 4.11)

## DUST COLLECTOR HOSE

The HAFCO/WOODMASTER MODEL DC2 is designed to be used as a single machine dust collector. Place the dust collector in a position where it will not interfere with the workpiece being processed, and with no more than 3 meters of hose attached.

## DUCT GROUNDING

There are many choices regarding dust collection ducting, but flexible hose is the most common. If attaching the DC -2 to multiple machines and creating a ducting system, be aware that there is a fire or explosion hazard if plastic duct material is used for dust collection without being grounded against static electrical charge build-up.

If a grounding medium is not available to prevent static electrical build up, the electrical charge will arc to the nearest grounded source. This electrical discharge may cause an explosion and subsequent fire inside the system. To protect against static electrical build up inside a non-conducting duct, a bare copper wire should be placed inside the duct along its length and grounded to the dust collector.

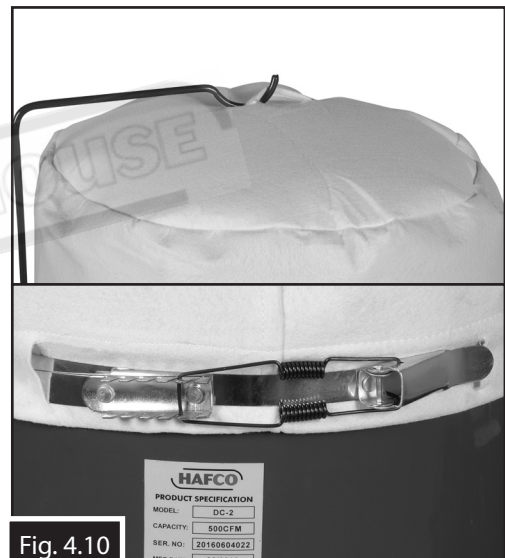


Fig. 4.10



Fig. 4.11

#### 4.6 TEST RUN

Once assembly is complete, test run the machine to ensure it is properly connected to the power and safety components are functioning correctly. If you find an unusual problem during the test run, immediately stop the machine, disconnect it from power, and fix the problem BEFORE operating the machine again. The Troubleshooting table in the Maintenance section of this manual may be able to help. If the problem persists the contact your dealers service technician.

### 5. OPERATION.

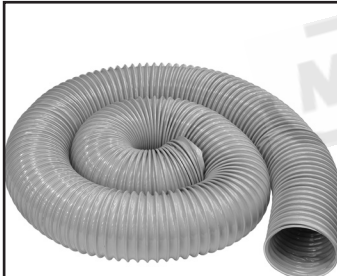
#### 5.1 OPERATION OVERVIEW

The operation of the HAFCO/WOODMASTER Model DC-2 is very simple and straight forward. Move the dust collector to the machine location, connect the ducting hose, and if required then connect the ground wire, and you are ready to begin.

Always switch ON the dust collector first before switching on the cutting machine.

**! WARNING** *Always make sure there is no open flames or pilot lights in the same area as the dust collector. There is a risk of explosion if dust is dispersed into the air.*

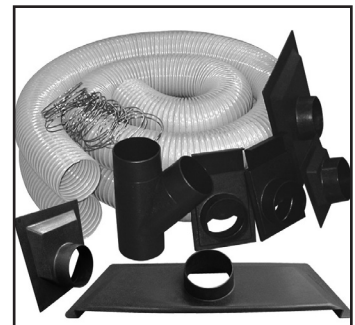
#### 5.2 OPTIONAL ACCESSORIES



**DCH-100 - DUST HOSE - TIMBER ONLY**  
100mm Hose is only recommended for "timber extraction only" and sold in meter lengths. (Order Code W398)

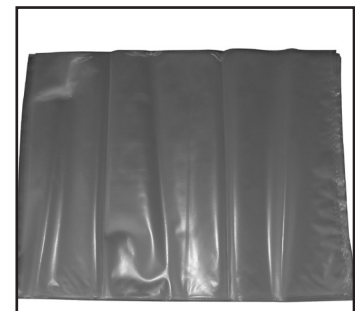


**#25 - FILTER BAG UPPER**  
570mm flat, 5 micron  
Ideal for MDF to suit most models  
(Order Code CB025)



**DCK-2 - TIMBER DUST ACCESSORY KIT.**  
This timber dust accessory kit consist off the most sought-after Ø100mm connections and attachments to connect your dust extraction unit to your machine. (Order Code W344)

**#24 - LOWER PLASTIC BAG PKT 10**  
610mm x 740mm  
Plastic bottom bag replacement  
Pack of 10 (Order Code CB025P)



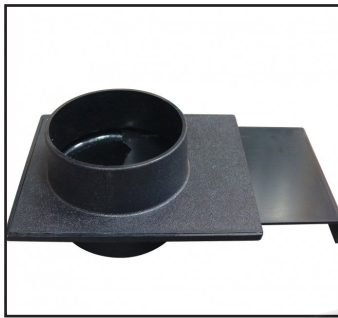
**5.2 OPTIONAL ACCESSORIES Cont.**



**DCA-125R - DUST HOSE REDUCER**  
Ø100-125mm  
(Order Code W333)



**DCA-100R - DUST HOSE REDUCER**  
Ø100-63mm  
(Order Code W334)



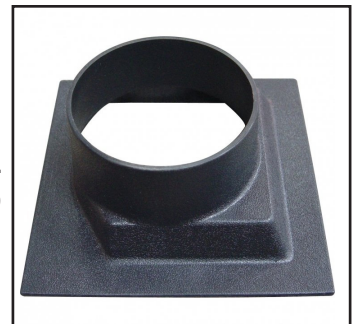
**DCA-100C - DUST HOSE SHUT OFF VALVE**  
Ø100mm  
(Order Code W335)



**DCA-100E - DUST HOSE ELBOW**  
Ø100mm  
(Order Code W336)



**DCA-100Y - DUST HOSE Y ADAPTER**  
Ø100mm  
(Order Code W337)



**DCA-100H - DUST HOSE UNIVERSAL DUST HOOD**  
Ø100mm  
(Order Code W338)



**DCA-100FS - DUST HOSE FLOOR SWEEPER ATTACHMENT**  
Ø100mm  
(Order Code W339)



**DCC-100 - DUST HOSE CLAMP**  
Ø100mm (4") Dia.  
(Order Code W340)



## 6. MAINTENANCE

It is very important that regular maintenance of the equipment is carried out. The operators need to follow the daily maintenance procedures.

For optimum performance from this machine, the maintenance schedule listed below and in this section must be followed.

### 6.1 SCHEDULE

#### Daily Check

- Loose mounting bolts or fasteners.
- Worn, frayed, cracked, or damaged wires.
- Damaged ON/OFF button
- Check and empty if necessary collection bag
- Any other condition that could hamper the safe operation of this machine.

### 6.2 BAG CLEANING

#### Collection Bag

Changing dust collector bags is one of the least desirable jobs of the maintenance. Before any work is to take place, a respirator or dust mask and safety glasses must be worn when emptying the storage bag. Small dust particles can escape the bags during emptying, causing them to become airborne and easily inhaled. This microscopic airborne dust is extremely unhealthy to breathe and can cause serious health problems.

#### To empty the collection bag:

1. DISCONNECT THE MACHINE FROM THE POWER SUPPLY
2. Make sure that a respirator or dust mask is worn before commencing to remove the bag.
3. Un-clamp the collection bag and dispose of the contents.
4. Examine the empty bag for any damage or holes in the bag. Replace if necessary.
5. Reinstall the collection bag.

#### Filter Bag

There is no set time to replace the top filter bag.

As time goes on, the dust itself can begin collecting and gathering in pockets throughout the bag. Unfortunately, this continues at an increasing pace until the air passages in the bag's fabric become partially blocked. Once you notice a reduction in performance, it may be worth seeing if the filter bag needs to be cleaned.

Before you toss the filter bag in the washer, try these steps: With the dust collector running and the bag inflated, tap the bag with your hand or a broomstick. If that doesn't clear up the cake, try blowing compressed air against the outside of the bag with the collector running. Still not getting satisfactory results? Then remove the bag, turn it inside out and vacuum any remaining dust cake.

Turn the bag inside out, use the cold setting, and wash it on a gentle cycle with laundry detergent. Tumble-dry the bag on the air-only, no-heat setting or hang it outdoors in nice weather to dry completely before using it again.

### 6.3 TROUBLESHOOTING

Review the troubleshooting and procedures in this section if a problem develops with your machine. If you need replacement parts then follow the procedure in the beginning of the spare parts section or if additional help with a procedure is required, then contact your distributor.

**Note: Make sure you have the model of the machine, serial number and manufacture date before calling.**

Symptoms	Possible Cause	Possible Solution
Machine does not start or a breaker trips.	<ol style="list-style-type: none"> <li>1. Power supply circuit breaker tripped or fuse blown.</li> <li>2. Motor wires connected incorrectly.</li> <li>3. Plug/receptacle at fault/wired incorrectly.</li> <li>4. Wiring open/has high resistance.</li> <li>5. START/STOP or circuit breaker switch at fault.</li> <li>6. Start capacitor at fault.</li> <li>7. Centrifugal switch/contact points at fault.</li> <li>8. Motor at fault.</li> </ol>	<ol style="list-style-type: none"> <li>1. Ensure circuit is sized correctly and free of shorts. Reset circuit breaker or replace fuse.</li> <li>2. Correct motor wiring connections.</li> <li>3. Test for good contacts; correct the wiring.</li> <li>4. Check/fix broken, disconnected, or corroded wires.</li> <li>5. Replace switch/circuit breaker.</li> <li>6. Test/replace.</li> <li>7. Adjust/replace centrifugal switch/contact points.</li> <li>8. Test/repair/replace.</li> </ol>
Machine has vibration or noisy operation.	<ol style="list-style-type: none"> <li>1. Debris caught in impeller.</li> <li>2. Motor or component loose.</li> <li>3. Motor fan rubbing on cover.</li> <li>4. Motor mount loose/broken.</li> <li>5. Motor bearings at fault.</li> <li>6. Motor shaft bent.</li> <li>7. Dust collector not on a flat surface.</li> <li>8. Impeller damaged or unbalanced.</li> <li>9. Impeller loose on motor shaft.</li> </ol>	<ol style="list-style-type: none"> <li>1. Inspect impeller for debris or damage.</li> <li>2. Inspect/replace damaged bolts/nuts, and re-tighten with thread-locking fluid.</li> <li>3. Fix/replace fan cover; replace loose/damaged fan.</li> <li>4. Tighten/replace.</li> <li>5. Test by rotating shaft; rotational grinding/loose shaft requires bearing replacement.</li> <li>6. Test with dial indicator. Replace motor if damaged.</li> <li>7. Stabilize dust collector.</li> <li>8. Disconnect dust collector from power. Inspect impeller for dents, bends, or loose fins. Replace impeller if damaged.</li> <li>9. Secure impeller; replace motor and impeller as a set if motor shaft and impeller hub are damaged</li> </ol>
Dust collector does not adequately collect dust or chips; poor performance.	<ol style="list-style-type: none"> <li>1. Collection drawer or air filter dust tray are full.</li> <li>2. Filters are dirty/clogged.</li> <li>3. Clog in ducting.</li> <li>4. Leak in ducting/connections.</li> <li>5. Ducting blocked/restricted.</li> <li>6. The dust collector is too far away from the point of suction, or there are too many sharp bends in the ducting.</li> <li>7. Dust collector is undersized.</li> <li>8. Run capacitor at fault.</li> <li>9. Centrifugal switch/contact points at fault.</li> </ol>	<ol style="list-style-type: none"> <li>1. Empty collection drawer and dust tray.</li> <li>2. Clean filters; replace with new filters if performance does not improve.</li> <li>3. Remove clog.</li> <li>4. Seal leak.</li> <li>5. Remove ducting from dust collector inlet and unblock the restriction.</li> <li>6. Relocate the dust collector closer to the point of suction; remove sharp bends in ducting.</li> <li>7. Install a larger dust collector.</li> <li>8. Test/replace.</li> <li>9. Adjust/replace centrifugal switch/contact points if available.</li> </ol>



**WARNING.**

**When cleaning the filter, wear a respirator and safety goggles. Failure to comply can cause serious personal respiratory injury.**

## DUST COLLECTORS

### DC-2

Order Code: (W332)

Edition : 2.0  
Date: (8/24)

The following section covers the spare parts diagrams and lists that were current at the time this manual was originally printed. Due to continuous improvements of the machine, changes may be made at anytime without notification.

#### HOW TO ORDER SPARE PARTS

1. Have your machines model number, serial number & date of manufacture on hand, these can be found on the specification plate mounted on the machine
2. A scanned copy of your parts list/diagram with required spare part/s identified.

#### NOTE: SOME PARTS MAY ONLY BE AVAILABLE AS AN ASSEMBLY

3. Go to [www.machineryhouse.com.au/contactus](http://www.machineryhouse.com.au/contactus) and fill out the inquiry form attaching a copy of scanned parts list.



#### **WARNING!**

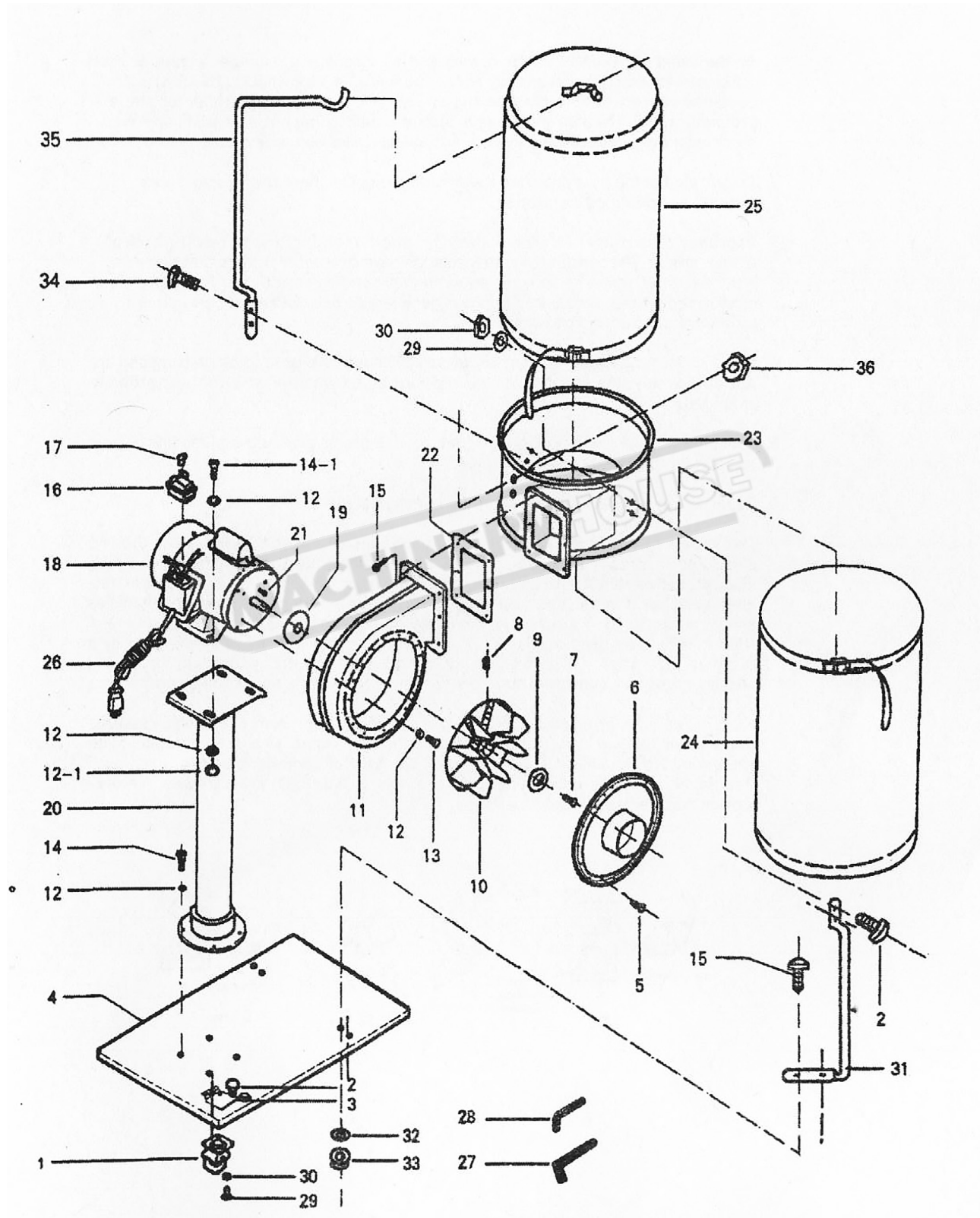
*Electricity is dangerous and could cause death  
All electrical work must be carried out by a qualified electrician.*



#### **CAUTION**

*It is impossible to cover all possible hazards Every workshop environment is different. These are designed as a guide to be used to compliment training and as a reminder to users prior to equipment use. Always consider safety first, as it applies to the individual working conditions.*

**SPARE PARTS DIAGRAM**



**SPARE PARTS LIST**

No.	Description	Size	Qty
1	CASTER		4
2	SCREW PAN. HD.	M5 x 16	20
3	SPRING WASHER	Ø5	16
4	BASE PLATE		1
5	SCREW PAN. HD.	M5 x 10	12
6	INLET COVER		1
7	SCREW HEX. SOC. HD.	M6 x 20 L (L.H.)	1
8	SET SCREW SOC. HD.	M8 x 10	2
9	WASHER		1
10	TURBO FAN		1
11	COLLECTOR BODY		1
12	WASHER	Ø8	16
12-1	NUT	M8	4
13	SCREW HEX. HD.	M8 x 10	4
14	SCREW HEX. HD.	M5 x 15	4
14-1	SCREW HEX. HD.	M8 x 15	4
15	SCREW HEX. FLG. HD.	M6 x 15	10
16	SWITCH		1
17	KEY SWITCH		1
18	MOTOR		1
19	PACKING		1
20	COLUMN & MOTOR PLATE		1
21	KEY	5mm x 5mm x 30mm	1
22	PACKING		1
23	COLLECTOR		1
24	COLLECTOR BAG		1
25	FILTER BAG		1
26	POWER CORD		1
27	WRENCH HEX	4mm	1
28	WRENCH HEX.	5mm	1
29	SPRING WASHER	Ø5	16
30	NUT	M5	20
31	BRACKET		2
32	WASHER	Ø6	4
33	NUT	M6	4
34	SCREW	M4 x 5	2
35	POLE		1
36	NUT	M4	2

NOTE: SOME INDIVIDUAL PARTS MAY ONLY BE AVAILABLE AS AN ASSEMBLY

# WARNING

## General Machinery Safety Instructions

---

Machinery House  
requires you to read this entire Manual before using this machine.

- 1. Read the entire Manual before starting machinery.** Machinery may cause serious injury if not correctly used.
- 2. Always use correct hearing protection when operating machinery.** Machinery noise may cause permanent hearing damage.
- 3. Machinery must never be used when tired, or under the influence of drugs or alcohol.** When running machinery you must be alert at all times.
- 4. Wear correct Clothing.** At all times remove all loose clothing, necklaces, rings, jewelry, etc. Long hair must be contained in a hair net. Non-slip protective footwear must be worn.
- 5. Always wear correct respirators around fumes or dust when operating machinery.** Machinery fumes & dust can cause serious respiratory illness. Dust extractors must be used where applicable.
- 6. Always wear correct safety glasses.** When machining you must use the correct eye protection to prevent injuring your eyes.
- 7. Keep work clean and make sure you have good lighting.** Cluttered and dark shadows may cause accidents.
- 8. Personnel must be properly trained or well supervised when operating machinery.** Make sure you have clear and safe understanding of the machine you are operating.
- 9. Keep children and visitors away.** Make sure children and visitors are at a safe distance for you work area.
- 10. Keep your workshop childproof.** Use padlocks, Turn off master power switches and remove start switch keys.
- 11. Never leave machine unattended.** Turn power off and wait till machine has come to a complete stop before leaving the machine unattended.
- 12. Make a safe working environment.** Do not use machine in a damp, wet area, or where flammable or noxious fumes may exist.
- 13. Disconnect main power before service machine.** Make sure power switch is in the off position before re-connecting.
- 14. Use correct amperage extension cords.** Undersized extension cords overheat and lose power. Replace extension cords if they become damaged.
- 15. Keep machine well maintained.** Keep blades sharp and clean for best and safest performance. Follow instructions when lubricating and changing accessories.
- 16. Keep machine well guarded.** Make sure guards on machine are in place and are all working correctly.
- 17. Do not overreach.** Keep proper footing and balance at all times.
- 18. Secure workpiece.** Use clamps or a vice to hold the workpiece where practical. Keeping the workpiece secure will free up your hand to operate the machine and will protect hand from injury.
- 19. Check machine over before operating.** Check machine for damaged parts, loose bolts, Keys and wrenches left on machine and any other conditions that may effect the machines operation. Repair and replace damaged parts.
- 20. Use recommended accessories.** Refer to instruction manual or ask correct service officer when using accessories. The use of improper accessories may cause the risk of injury.
- 21. Do not force machinery.** Work at the speed and capacity at which the machine or accessory was designed.
- 22. Use correct lifting practice.** Always use the correct lifting methods when using machinery. Incorrect lifting methods can cause serious injury.
- 23. Lock mobile bases.** Make sure any mobile bases are locked before using machine.
- 24. Allergic reactions.** Certain metal shavings and cutting fluids may cause an allergic reaction in people and animals, especially when cutting as the fumes can be inhaled. Make sure you know what type of metal and cutting fluid you will be exposed to and how to avoid contamination.
- 25. Call for help.** If at any time you experience difficulties, stop the machine and call you nearest branch service department for help.

# WARNING

## Wood Dust Collector Safety Instructions

---

Machinery House  
requires you to read this entire Manual before using this machine.

- 1. Maintenance.** Make sure the Dust collector is turned off and disconnect from the main power supply and make sure all moving parts have come to a complete stop before any inspection, adjustment or maintenance is carried out.
- 2. Dust collector Condition.** Dust collector must be maintained for a proper working condition. Never operate a Dust collector that has damaged or worn parts. Scheduled routine maintenance should be performed on a scheduled basis.
- 3. Inlet Hazard.** Do not place hands or tools near the open inlets during operation for any reason. The impeller could cause serious damage to body parts if touched while spinning.
- 4. Avoiding Entanglement.** Guards and dust bags must be used at all times. Remove loose clothing, belts, or jewelry items. Tie up long hair and use the correct hair nets to avoid any entanglement with the Dust collector.
- 5. Understand the machines controls.** Make sure you understand the use and operation of all controls.
- 6. Power outage.** In the event of a power failure during use of the Dust collector, turn off all switches to avoid possible sudden start up once power is restored.
- 7. Work area hazards.** Keep the area around the Dust collector clean from oil, tools, chips. Pay attention to other persons in the area and know what is going on around the area to ensure unintended accidents.
- 8. Hearing protection and hazards.** Always wear hearing protection as noise generated from dust collector can cause permanent hearing loss over time.
- 9. Dust Collector use.** This Dust Collector is designed to be used with wood only. Do not pick up material that can not safely pass through the impeller.
- 10. Fire Hazard.** Do not use this dust collector to pick up metal scraps and filing as they could spark by hitting the spinning impeller and cause a severe fire hazard.
- 11. Bags & guards.** All safety bags and guards must be used at all times. Bags must be replaced when damaged.
- 12. Emptying bags hazard.** Always wear a respirator and safety glasses when emptying dust into approved containers and dispose of properly.
- 13. Wood dust may cause allergic reactions.** Make sure you know what type of dust you are exposed to as it may cause you an allergic reaction. Always wear an approved respirator.
- 14. Call for help.** If at any time you experience difficulties, stop the machine and call your nearest branch service department for help.

# PLANT SAFETY PROGRAM

## **NEW MACHINERY HAZARD IDENTIFICATION, ASSESSMENT & CONTROL**

### **Wood Dust Collector**

Developed in Co-operation Between A.W.I.S.A and Australia Chamber of Manufactures  
This program is based upon the Safe Work Australia, Code of Practice - Managing Risks of Plant in the Workplace ( WHSA 2011 No10 )

Item No.	Hazard Identification	Hazard Assessment	Risk Control Strategies <small>(Recommended for Purchase / Buyer / User)</small>
B	CRUSHING	LOW	Ensure dust collector is on level solid ground and in a safe place to avoid tipping.
C	CUTTING, STABBING, PUNCTURING	MEDIUM	Isolate power to machine prior to any checks or maintenance being carried out. Do not adjust or clean dust collector until fully stopped. Ensure hose remains fitted to prevent access to fan blade. Keep body parts away from moving parts.
H	ELECTRICAL	MEDIUM	All electrical enclosures should only be opened with a tool that is not to be kept with the machine.
O	OTHER HAZARDS, NOISE.	LOW	Wear hearing protection as required.
Plant Safety Program to be read in conjunction with manufactures instructions			



[www.machineryhouse.com.au](http://www.machineryhouse.com.au)



[www.machineryhouse.co.nz](http://www.machineryhouse.co.nz)

Authorised and signed by:  
Safety officer:

Manager:

*[Signature]*

Revised Date: 12th March 2012



**NOTES**

**MACHINERYHOUSE**

**MACHINERYHOUSE**



#### **ENVIRONMENT PROTECTION**

Recycle unwanted materials instead of disposing of them as waste. All tools, accessories and packaging should be sorted, taken to a recycling centre and disposed of in a manner which is compatible with the environment. When the product becomes completely unserviceable and requires disposal, drain any fluids (if applicable) into approved containers and dispose of the product and fluids according to local regulations.

Imported by

**HARE & FORBES**  
**MACHINERYHOUSE**

Australian Distributor

**Hare & Forbes**  
**Machineryhouse**  
Sydney - Melbourne  
Adelaide - Brisbane - Perth

Ph: 1300 202 200  
[www.machineryhouse.com.au](http://www.machineryhouse.com.au)

**MACHINERYHOUSE**

New Zealand Distributor

**Machineryhouse**  
Auckland  
Christchurch

Ph: 0800 142 326  
[www.machineryhouse.co.nz](http://www.machineryhouse.co.nz)